



VERM

PRISTINE BBQ



www.verm.se
[@vermoutdoor](https://www.instagram.com/vermoutdoor)

OUTDOOR COOKING

BY
VERM



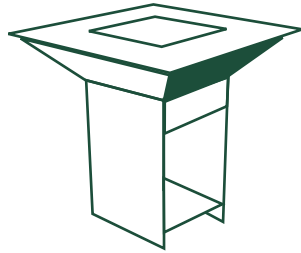
QUICK INSTALLATION GUIDE

1. UNBOX



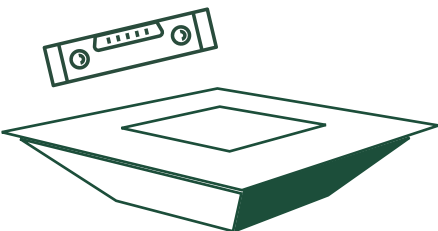
2. MOUNT

MOUNT ACCORDING TO THE
INSTRUCTION MANUAL.
TAKE YOUR TIME.



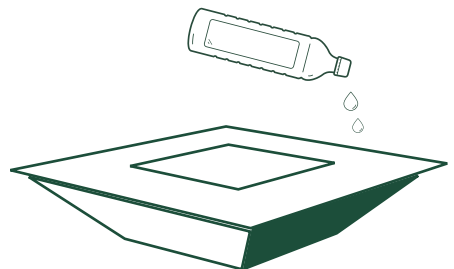
3. ALIGN

FIND THE RIGHT PLACE
AND GROUND SUPPORT.
USE A LEVELLING TOOL!



4. OIL

SPREAD A THIN LAYER OF
OLIVE OIL ON THE COLD
SURFACE WITH A CLOTH



OUTDOOR COOKING BY VERM

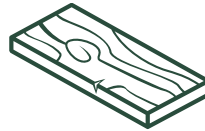


QUICK INSTALLATION GUIDE

5. BREAK IN
USE THE PRODUCTION
SCRAP WOOD STICKS!



6. OIL AGAIN
SPREAD A THIN LAYER OF
OLIVE OIL ON THE HOT
SURFACE WITH A CLOTH



OH, AND IF THE WOODEN FRONT
IS "SWEATING" FROM HEAT, IT IS
ONLY WOOD RESIN (KÅDA) FROM
THE SLOW GROWN PINE. JUST RUB
IT INTO THE SURFACE

7. GRILL
LIGHT IT UP AGAIN AND
TROW A PARTY



GRILL 'N CHILL

OUTDOOR
COOKING

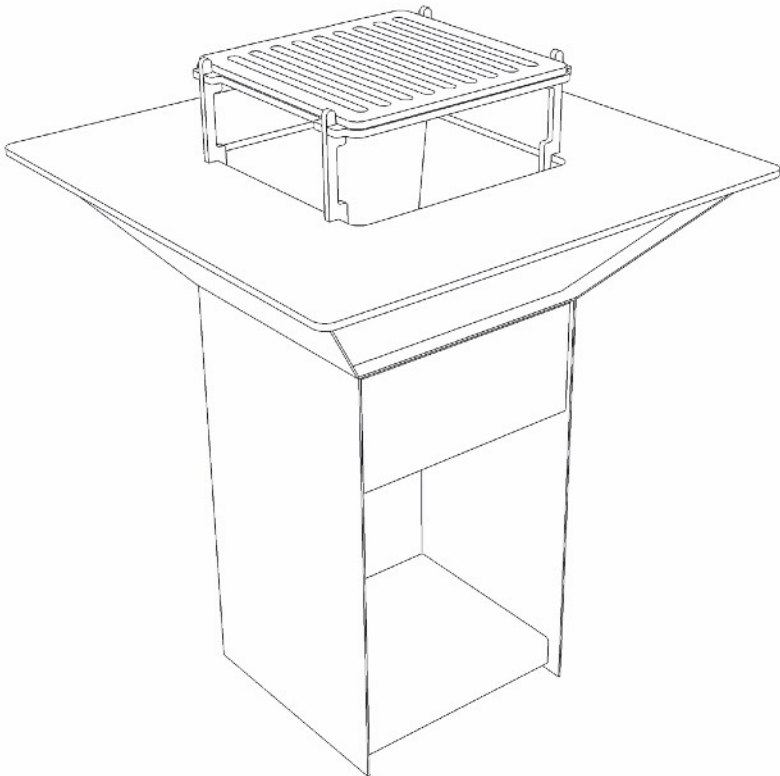


THANK YOU FOR BUYING A VERM 80.

This manual contains setup & user instructions, warranty conditions and additional information about your Verm 80.

The Verm 80 is equipped with a Grill plate, BBQ plate, BBQ rack, Stand, Drawer, Daisy wheel and the Grill tray. The Verm 80 is designed and manufactured in Sweden by Verm AB

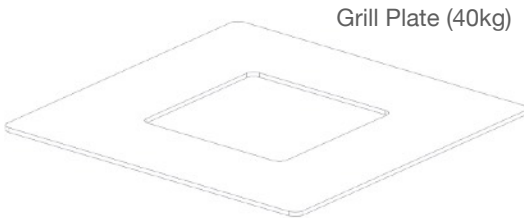
Total weight: 120 Kg - 265 lbs



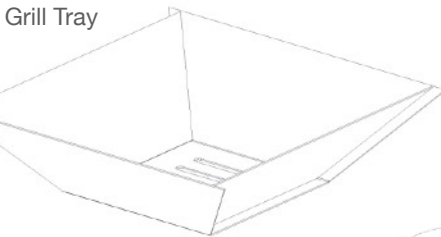
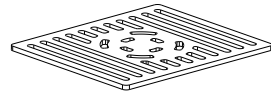
Assembly instructions

The VERM 80 can be easily mounted and is always delivered unmounted to save shipping space and protect the product.

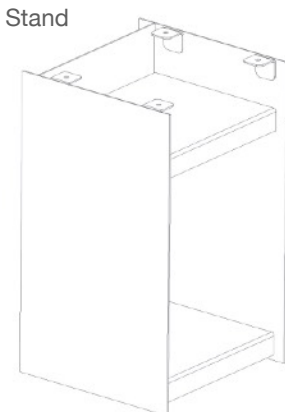
The package includes the following parts, excluding accessories.



Bottom fire plate
(Placed inside Grill tray)



Daisy-wheel



Drawer

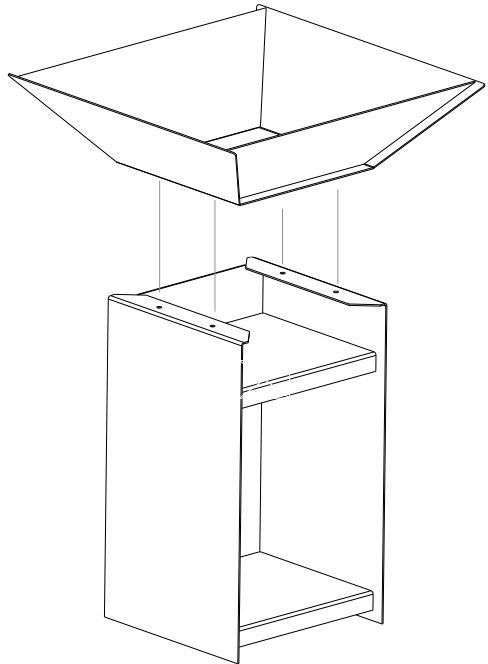
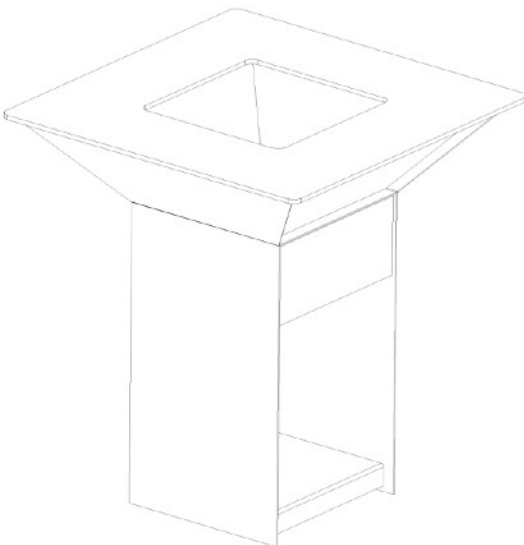


Mounting instructions

Use the stainless M8 carriage bolts with nuts and washers included in the delivery. The bolts are pre-mounted in the Stand at delivery. When mounting the grill tray, use the same order of mounting.

Secure the bolts with a 13 mm or a 1/2" spanner to a recommended torque of 17nm (app.13 lb-ft) and make sure the two pieces are securely assembled and do not move. Using a level tool, place the stand on a recommended surface and level the grill. Once the grill is perfectly level and is standing on a hard and secure surface, proceed with the mounting. Please double check the stability of the assembly and ground support before proceeding mounting the grill plate.

Place the grill on a solid foundation or hard surface. Even stonework, concrete slab, or gravel is recommended



The grill should be positioned at a safe distance from flammable surfaces. Maintain a minimum distance of 10 feet (about 3 meters) from your house, shed, or other structures. Keep the grill away from wooden decks, overhanging branches, and other flammable materials.

Mount the grill plate. Note that this requires two people to place it securely. There are steel rods to guide the grill plate in place securely.

Slide in the drawer.

Mount the BBQ rack and BBQ plate.

Break in the grill while lighting a small fire with 4 pieces of wood and let it burn down. Do not light your first fire with more wood. Apply and rub in a thin layer of oil on the grill surface as it warms up. Repeat a few times. Rapeseed-oil is recommended.

Safety and setup instructions

Due to the considerable weight of the elements, unpacking and placing of the product should be done by at least 2 people.

While the corrosion is still superficial, the Corten steel elements may cause orange stains on clothes, skin, and the surface they stand on. When it rains, corrosive water may also run off these elements, which may permanently stain light-toned stone or wooden surfaces.

We recommend the use of gloves when placing the cooking plate.

Never leave your Verm 80 unattended during use.

Keep children and pets away from the Verm 80 during use and after use when the unit is still warm.

Never use a Verm 80 indoors or in a partially or fully closed-off space. This causes an excess of dangerous fumes that may result in carbon monoxide poisoning.

Make sure that the area around your Verm 80 is clear of any flammable materials

Ashes can stay very hot for a long period of time. Sometimes even for more days. Therefore, before disposing of your ashes in a regular bin, always first put them in an empty zinc bin and throw water over them so that they are completely wet. Only then dispose of them in your regular bin.

When your Verm 80 is not in use, cover it in order to protect from rainwater or other material like leaves. We recommend our VERM cover that can be ordered from our website.

Säkerhets- och installationsinstruktioner

På grund av produktens stora vikt bör uppackning och placering av produkten göras av minst 2 personer.

Medan korrosionen fortfarande är yttlig, kan Corten-stålelementen orsaka fläckar på kläder, hud och ytan de står på. När det regnar kan även färgat vatten rinna av dessa element, vilket permanent kan fläcka ljusa sten- eller träytor.

Vi rekommenderar att du använder handskar när du placerar stekbordet.

Lämna aldrig din Verm 80 obevakad under användning.

Håll barn och husdjur borta från Verm 80 under användning och efter användning när enheten fortfarande är varm.

Använd aldrig en Verm 80 inomhus eller i ett delvis eller helt stängt utrymme. Detta orsakar ett överskott av farliga ångor som kan resultera i kolmonoxidförgiftning.

Se till att området runt din VERM 80 är fritt från lättantändliga material.

Aska kan hålla sig väldigt varm under lång tid. Ibland till och med i flera dagar. Innan du slänger din aska i en vanlig kärl ska du därför alltid först lägga den i en tom metallbehållare och hälla vatten över den så att den är helt blöt.

När din VERM 80 inte används, täck över den för att skydda mot regnvatten eller annat material som löv. Vi rekommenderar vårt Verm-fodral som kan beställas från vår hemsida.

How to use your Verm 80

Light your fire by stacking smaller logs two by two, building a small "log house" in the middle of the grill tray. We recommend using dry birchwood. Start off with smaller logs and stack more logs on top as the fire starts to burn properly. **IMPORTANT:** the first time you use your VERM, make a smaller fire the first 30 min, to let the grill plate set correctly.

Once you get the fire going and the grill plate is starting to heat up, just scrape off the plate with a grill spatula, pushing any left behind food residue or coating into the grill tray, oil the surface with a thin layer of olive or rapeseed oil, rub it in with a kitchen towel or a piece of paper - and you are good to go! After approximately 30 min (longer during the fall/winter) the grill plate is hot enough to start cooking.

Extinguishing the fire and removing ashes

The best way is to let the fire burn out on its own. Do not pour water on the fire.

Ashes can stay very hot for a long period of time. Sometimes even for more days. Therefore, before disposing of your ashes in a regular bin, always first put them in an empty zinc bin and throw water over them so that they are completely wet. Only then dispose of them in your regular bin

Maintenance

Regular maintenance

The grill plate and grate are made of carbon steel, and needs to be oiled regularly to prevent corrosion. We recommend scraping the cooking surface and rub it with oil after each time you use the grill to keep it from rusting. The grill plate is also much easier to clean when still hot, so remember to scrape it off after each session.

The rest of the Verm 80 grill is made with corten steel that is completely maintenance-free and will last outdoors for decades. In fact, just leave it as it is and it will only look better and better over the years.

Seasonal maintenance

Once each season, or if the Verm has been left outside without use for a longer period of time, it's also possible to use a steel brush or sander to gently grind the grill plate and grate, to clean it from dirt or rust - making it as good as new again.

Disclaimers

SAFETY AND SETUP-, INTENDED USE- AND MAINTENANCE INSTRUCTIONS/TIPS

We are not liable for any injuries or damages as a consequence of not following our safety and setup-, intended use- and maintenance instructions/tips.

The unit's color may change over time as the corrosion process may not yet have fully unfolded. We are not liable for any color changes.

Any Corten steel components that are less corroded than others upon delivery are not eligible for replacement. All components will corrode naturally over time under influence of the weather. We are not liable for any differences of corrosion between different elements.

While the corrosion is still superficial, the Corten steel elements may cause orange stains on clothes, skin, and the surface they stand on. When it rains, corrosive water may also run off these elements, which may permanently stain light-toned stone or wooden surfaces. We are not liable for stains as a consequence of corrosion

Warranty terms

The product has a three year warranty on all parts. This warranty covers manufacturing defects. It applies to the original buyers or owners of a VERM 80. They purchased their unit from an authorized dealer. They assembled, used and maintained the VERM 80 according to the instructions in this manual.

Not covered by warranty

Wear, corrosion, deformation and discolouration of parts exposed to fire
Corrosion and discolouration caused by external influences
Visual irregularities inherent to the manufacturing process
Damages caused by not following our safety and setup-, intended use- and maintenance instructions/tips.



COOKING WE LOVE OUTDOOR COOKING

www.verm.se
[@vermoutdoor](https://twitter.com/vermoutdoor)